



CYCLOPE CAPSULE INSTALLATION GUIDE
INNOTRAFIK
askeleen edellä

CYCLOPE® CAPSULE INSTALLATION GUIDE

Please, check these before installation:

- The Cyclope capsules are installed in traffic signposts at pedestrian crossings
- The posts are 60 mm or 76,2 mm (3") in diameter depending on which size of Cyclope capsules are used
- The post is standing directly upright and is intact
- Install all capsules for one traffic signpost before continuing with the next one
- The blue color in each capsule must face upwards

Cyclope Capsule shipment includes

- 2 active Cyclope capsules (LED lights on one side, sensors on the other side)
- 6 passive capsules (12 similar halves)
- 8 safety screws
- 24 screws and 32 cover plugs
- 1 special bit for cordless drill

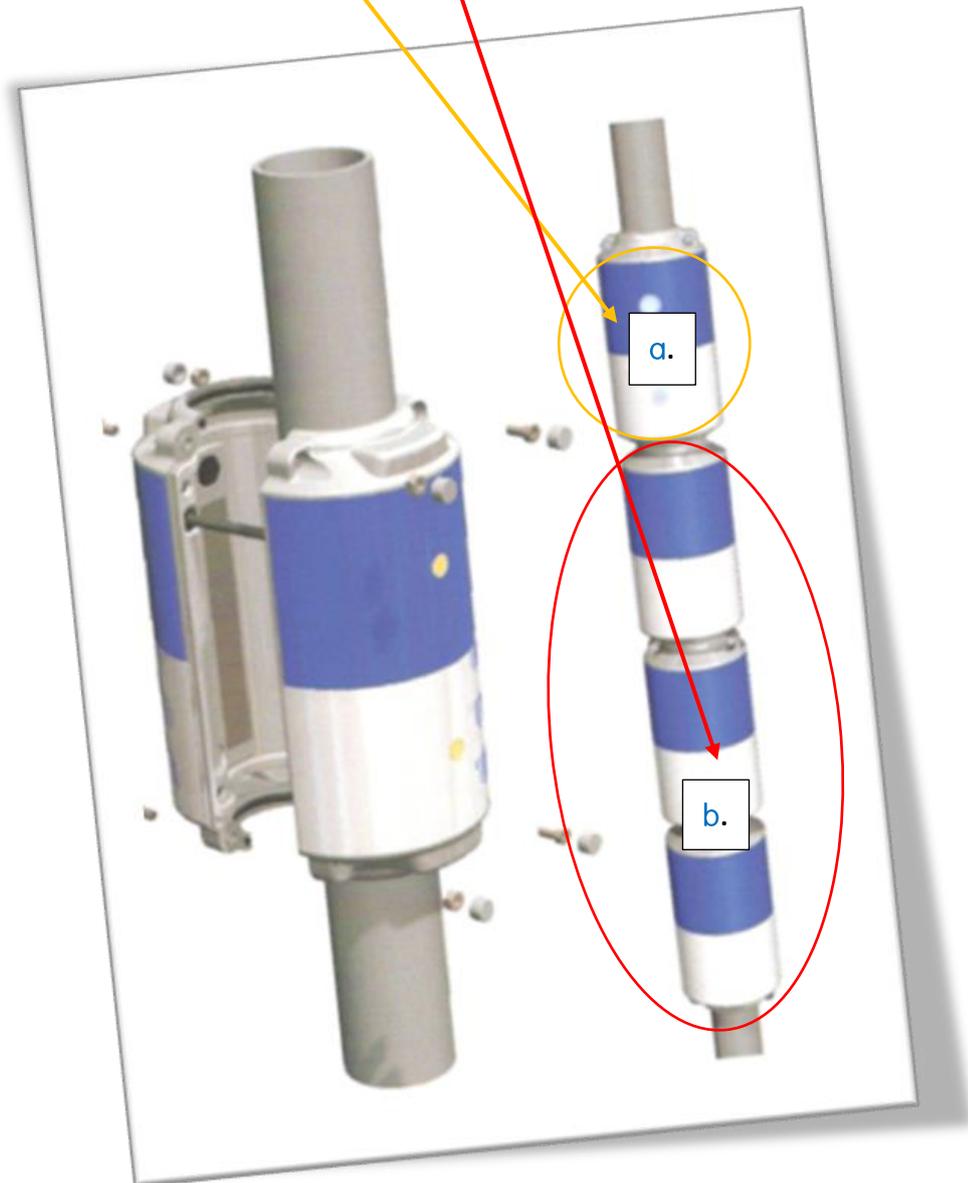
Tools needed: Cordless drill to use with the special bit.
Recommended drill torque is 40-50 Nm.

Note! Installation video can be found:
www.innotrafik.com/valkky/esitteet-ja-videot

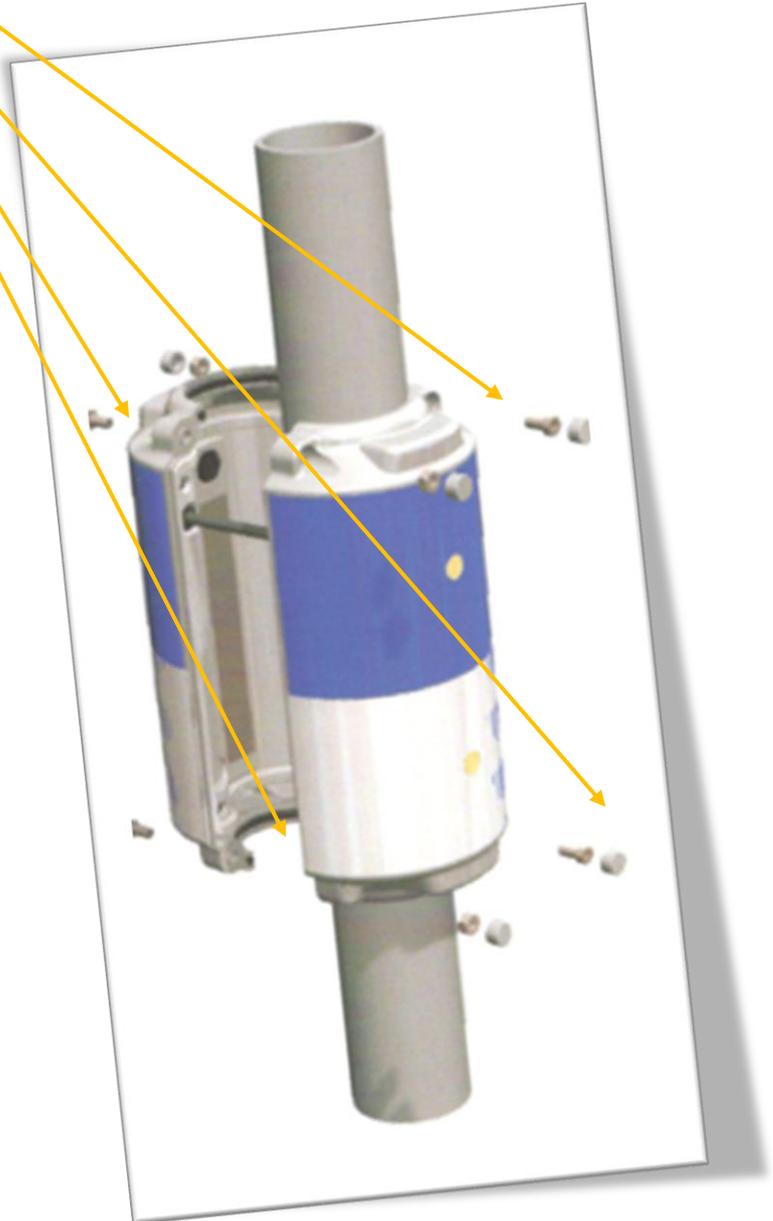
1. Start the installation with an active Cyclope capsule. Its upper edge must be at a height of about 150 cm.



2. Order for the capsules starting from the top:
 - a. One (1) active Cyclope Capsule (LED lights on one side, sensors on the other)
 - b. Three (3) passive capsules



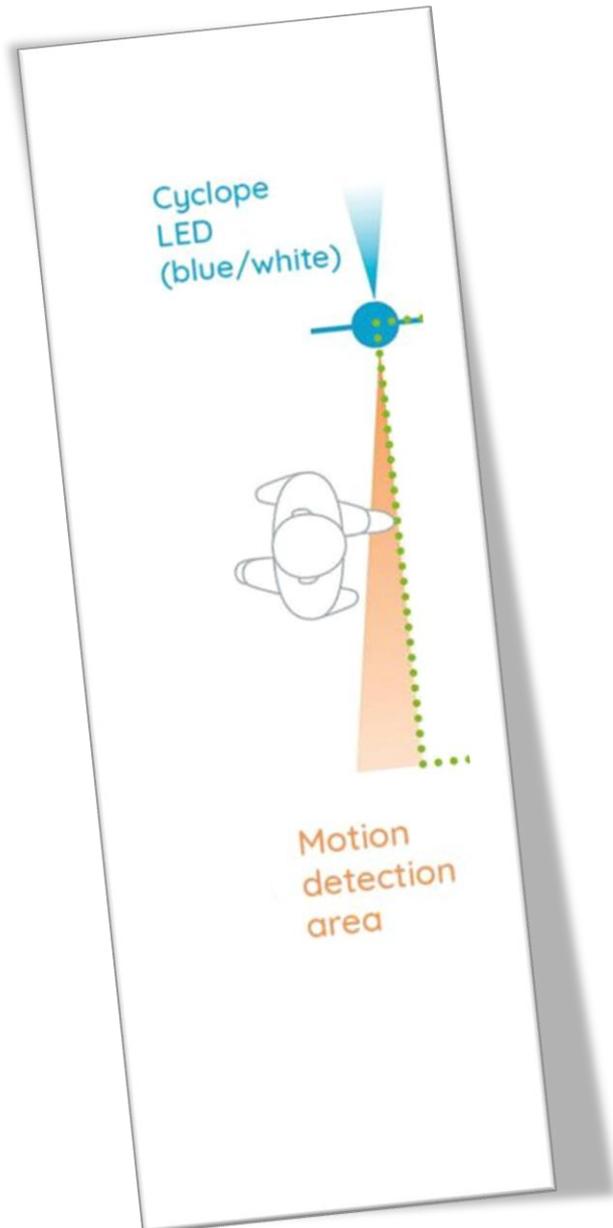
3. Place the capsule halves tightly together and pre-tighten the fastening screws (4 pcs). Note! Use the included safety screws to attach the active capsule.



4. Position manually the active capsule parallel to the road with the LED lights pointing towards oncoming traffic.



5. Test the reading area by walking across the crossing so that Cyclope registers a pedestrian about half a meter before the pedestrian crossing sign.



6. Tighten the screws and put the cover plugs onto the screws. **NOTE:** Do not tighten the screws by using the maximum power of the drill. The screws are tight enough when the device cannot be turned around.



7. Perform steps 1-6 on the other side of the pedestrian crossing.

Congratulations, you have just performed a great Cyclope Capsule installation! For more information please contact info@innotrafik.com